

LED EXPLOSION PROOF LINEAR LIGHT

Zone 2 & 22
Class I, Division 2
Class II, Division 2



- Body: Low copper content aluminium alloy fitted with cooling fins for better heat dissipation
- Glass face: Shock and temperature resistant tempered glass sealed with aluminium ring
- Gaskets: Acid, hydrocarbon and high temperature resistant silicone
- Chips: Lumileds
- Lamps lumen efficient: >120lm/w
- Drivers: Lifud
- Wide voltage: 100-240VAC
- Surge Protection: 4KV
- Power factor: > 0.95
- THD (Total Harmonic Distortion): <20%
- Inrush current: <60A
- II 3G Ex nR IIC T6 Gc; I I 3D Ex D IIIC T80 °C Dc.

Application:



Oil fields



Oil refinery



Chemical industry



Military base



Offshore oil platform

TECHNICAL DATA:

Rated power: 10W/20W/30W/40W/60W

Lamp efficient: >120lm/w

Temp. Class: T6

Protection class: IP66

Color temperature: 2700~6500k(optional)

CRI: >80

Beam Angle:100°,115°

Ambient operating temperature: -30°C to +50°C

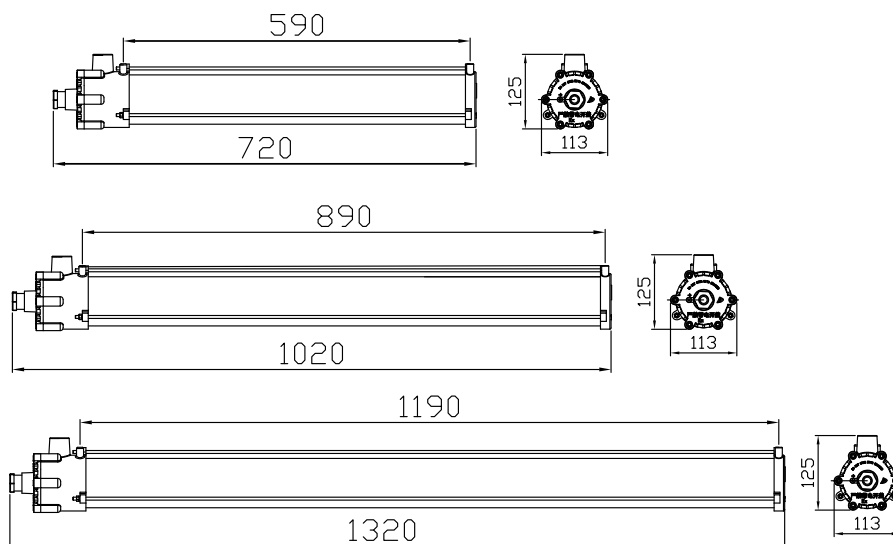
Certificate: ATEX&ECEEx (issued by TUV) SAA, CE, Rohs

Applications:Zone 2 &22

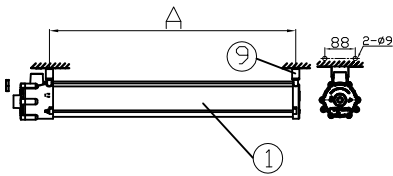
Class I, Division 2 &Class II, Division 2

Ordering code	Rated Power	LED Quantity	Reflector	Beam Angle	Luminous Flux	Length(cm)
CSEXHLN06R10	10W	60(3030)	/	100°	1200lm	72cm
CSEXHLN06RF10	10W	60(3030)	Frosted PC diffuser	100°	1100lm	72cm
CSEXHLN06R20	20W	120(3030)	/	115°	2400lm	72cm
CSEXHLN06RF20	20W	120(3030)	Frosted PC diffuser	115°	2200lm	72cm
CSEXHLN09R20	20W	180(3030)	/	115°	2400lm	102cm
CSEXHLN09RF20	20W	180(3030)	Frosted PC diffuser	115°	2200lm	102cm
CSEXHLN09R40	40W	270(3030)	/	115°	4800lm	102cm
CSEXHLN09RF40	40W	270(3030)	Frosted PC diffuser	115°	4400lm	102cm
CSEXHLN12R40	40W	240(3030)	/	115°	4800lm	132cm
CSEXHLN12RF40	40W	240(3030)	Frosted PC diffuser	115°	4400lm	132cm
CSEXHLN12R60	60W	360(3030)	/	115°	7200lm	132cm
CSEXHLN12RF60	60W	360(3030)	Frosted PC diffuser	115°	6600lm	132cm

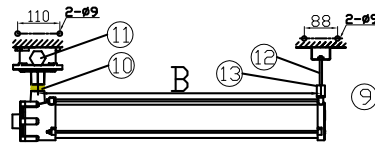
Dimension:(mm)



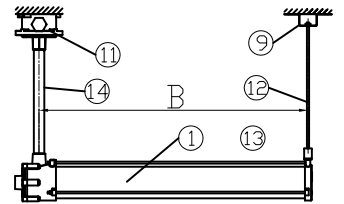
Mounting type:



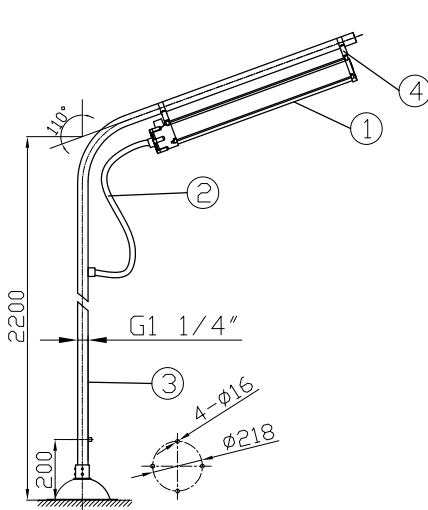
Ceiling type(x1)



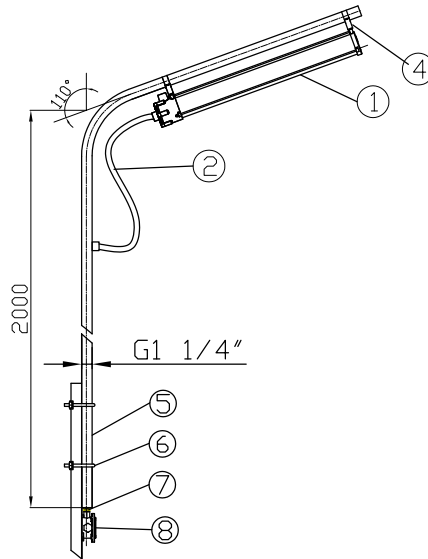
Ceiling type(x2)



Pendant pole type(g)



Flange type(f)



Pole type(h)

Mounting accessories and spare parts table:

No.	Name
1	LED explosion proof light
2	Explosion-proof flexible connecting pipe G $\frac{3}{4}$ " (inner)G $\frac{3}{4}$ " (outer)
3	Flange pole G1 $\frac{1}{4}$ "
4	Pipe clamp
5	Fence pole G1 $\frac{1}{4}$ "
6	U-bolt
7	Explosion proof flexible connector
8	Explosion proof junction box G $\frac{3}{4}$ "
9	Bracket
10	Explosion-proof flexible connecting pipe G $\frac{3}{4}$ " (outer)G $\frac{3}{4}$ " (outer)
11	Explosion proof junction box G $\frac{3}{4}$ "
12	M8 screw
13	Screw bracket
14	Straight pole G $\frac{3}{4}$ "