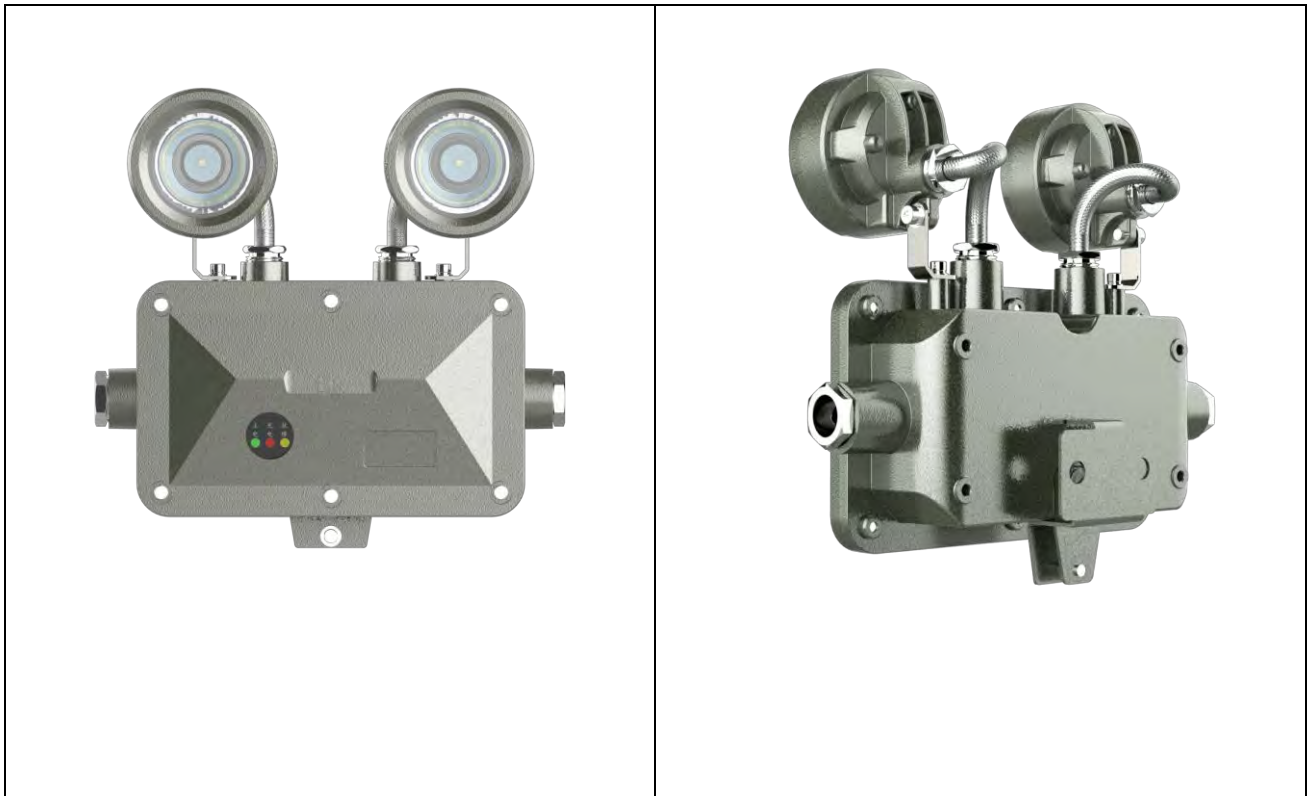


Explosion Proof Emergency Light

CS-EXEL-06

Pictures



Features

1、 Application scenario

This product has good explosion-proof function, suitable for various inflammable and explosive places, mainly used in railway, electric power, metallurgy, petroleum, petrochemical, chemical, steel, aviation, ship and each Efficient lighting in factories, stations, large facilities, venues and other places.

2、 Product Features

1. The lamp body is made of aluminium alloy by die casting. The surface of the lamp is sprayed with high voltage electrostatic. The exposed fasteners are stainless steel with high corrosion resistance, and the overall anti-corrosion performance is excellent.

2. Adopting high-intensity transparent shield, high-transparency, impact-resistant,

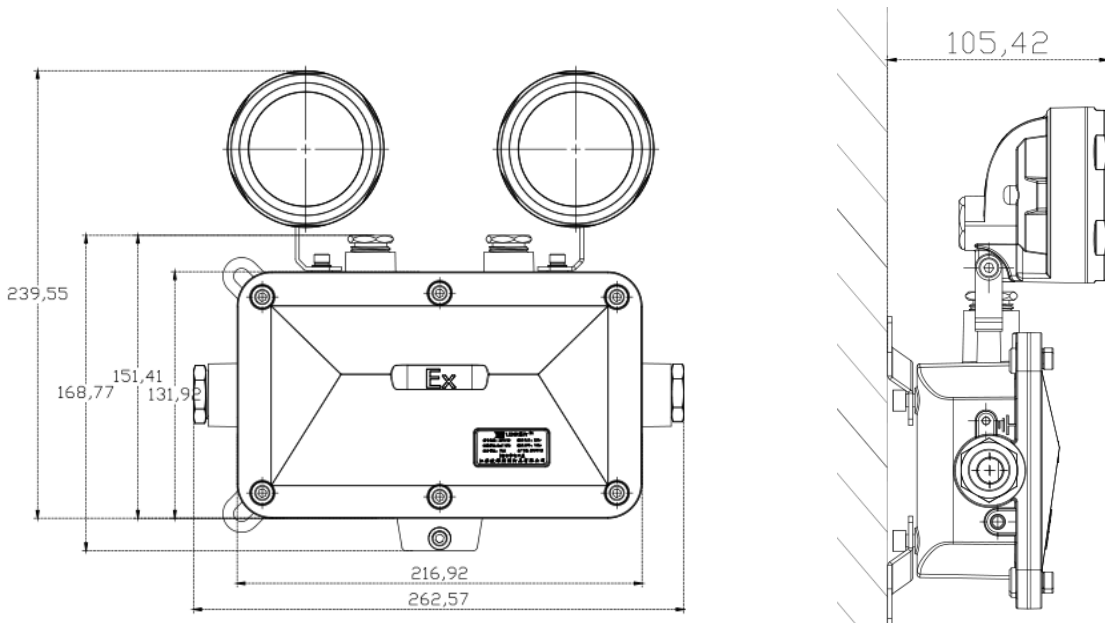
unique anti-glare design, with unique optical reflector, it has the characteristics of high light efficiency and low light decay.

3. The explosion-proof structure designed in accordance with the national standard GB3836 document has reliable explosion-proof performance, long life, special constant current power supply, low power consumption and constant output power. It adopts high temperature and aging resistant silica gel sealing ring with high protection grade.

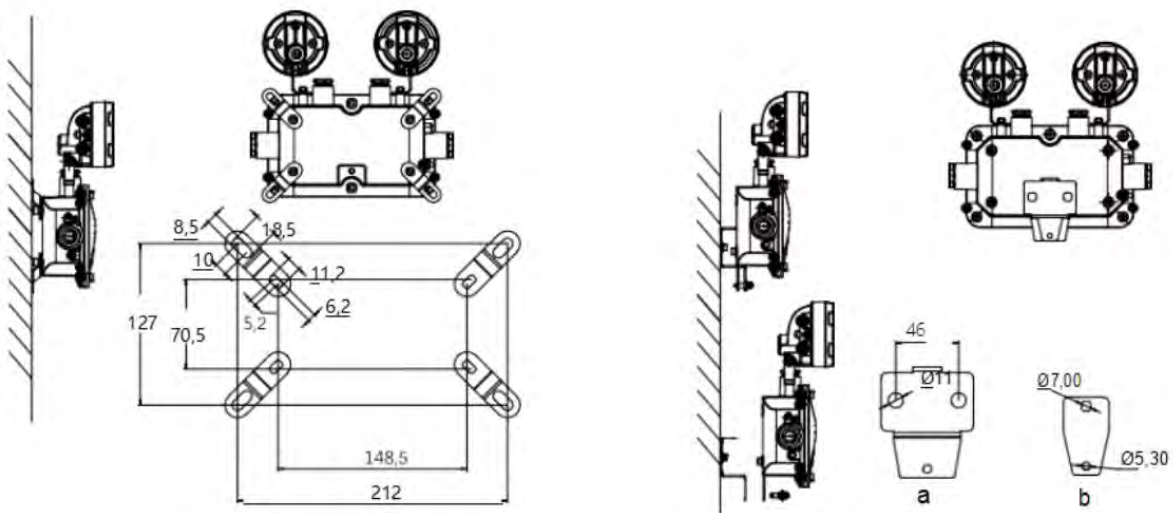
Product parameters

ITEM	symbol	Description	UNIT
Rated Voltage	VOLT	AC220	V
Emergency voltage	/	DC1.2	V
Power	P	2*3	W
Protection Level	IP	IP65	IP
Lighting Angle	θ	38	°
LED Qty	/	2*1	PCS
Base specifications	/	CREE3030	
Anticorrosion grade	/	WF2	
Explosion proof grade	/	Ex d IIB T6	
Light efficiency	η	120	Lm/W
Frequency	f	50/60	Hz
Power Factor	PF	>0.95	PF
Operating Temperature	TOPR	-20~40	°C
Storage Temperature	TOPR	-20~40	°C
Light Source	/	led	PCS
Correlate Color Temperature	CCT	3000-6500	K
Color Rendering Index	CRI	≥70	RA
LED'S Operating Life	LIFE	100000	Hours
Start-up time	T	≤0.2	S
Executive standard	/	GB3836.1、 GB3836.2	
Weight	/	2.5	KG
Size	/	230x260x85	mm
Emergency Time	/	120	Min

Dimensions



Installation



Package

Name	Description	(pcs) Quantity	Name	Parameter
Outer box	59*32*28CM 纸	1	N.W.	10 kg
Inner box	30*14*25.5cm	1	G.W.	11.5kg
Packaging method		4pcs/CTN		

Caution

1.Before installation, it is necessary to check whether the actual operating conditions are in conformity with the parameters listed on the lamp nameplate.

2.Before installation, please test the lighting according to the parameters of the lamp nameplate to ensure that there is no quality problem before installation.

3.Before installation, it is necessary to determine the installation location and mode of the lamps according to the installation mode provided by the product, in combination with the on-site use environment and lighting requirements, so as to ensure that the installation is firm and reliable.

4.Connect the prepared cables with the input cables of lamps and lanterns according to the corresponding fire (brown), zero (blue) and ground (yellow-green) wires, so as to ensure that the connection is firm, and make good insulation and waterproof measures at the connection.

5.The input end of the cable can be connected to the power supply of the corresponding voltage to illuminate.

2、 Using The Matters Needing Attention

1. When transporting, the lamp should be installed in the carton equipped with foam shock absorption.

2. When using, the surface of the lamp has a certain temperature rise, which is a normal phenomenon.

3. The power supply voltage can work normally in the rated voltage. If the power supply voltage is too high, the lamp will be damaged; if the voltage is too low, the lamp will not start normally.

4. The luminaire must be reliably grounded.