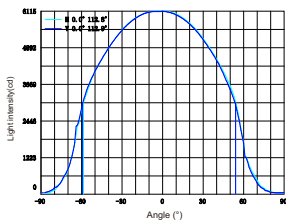
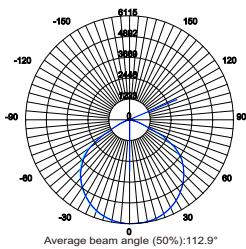


## Applicable light source

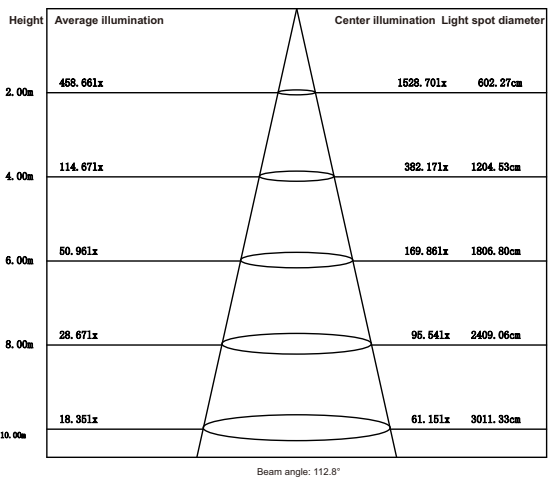
Order No.	Type of light source	Rated power (W)	Luminous flux (lm)	Average lifespan(h)	QTY (PCS/Box)
CS-BXFL-100W	LED	100W	13500	50000	1/1
CS-BXFL-120W	LED	120W	16200	50000	1/1
CS-BXFL-150W	LED	150W	20250	50000	1/1

## Photoelectric parameters

Lighting distribution curve



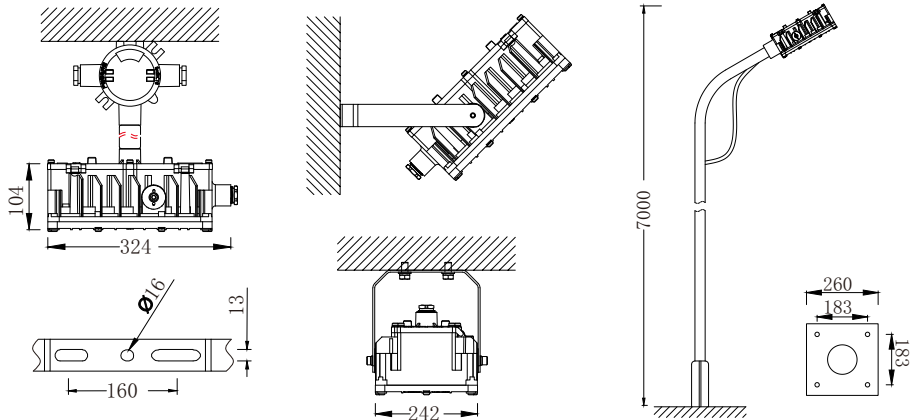
Average illumination test chart



## Technical parameters

Rated voltage: AC/DC 220V 50Hz  
Housing protection: IP66  
Anti-corrosion grade: Wf2  
Color temperature: 5,500-6,000K  
Inlet thread: G 3/4  
Lead-in cable:  $\Phi 8$ - $\Phi 12$ mm  
External dimension: 324x242x104mm  
Total weight: 5kg  
Explosion-proof sign: Exde mb IIC T5 Gb / Ext Da21 IP66 T95°C

## Installation diagram



## Applicable place

- ◆ Widely applied in general lighting and operation lighting in hazardous environments of oil exploitation, oil refining, metal smelting, chemicals, military, coal mines, thermal power stations, wineries, etc.
- ◆ Applicable for Zone 1, Zone 2, Class IIA, Class IIB and Class IIC explosive gas environments and flammable dust environments as well as Zone 21 and Zone 22 flammable and explosive sites.

## Performance features

- ◆ The housing is made by aluminum alloy die casting with high voltage electrostatic plastic spraying on the surface, and has good anti-corrosive performance;
- ◆ Manufactured on basis of Grade IIC top standards of thread structure explosion protection, more reliable explosion-proof performance;
- ◆ Configured with an internationally renewed brand of LED light source, and the ceramic substrate SMT surface mounting process, providing good heat-conducting property and color rendering, featured with circuit ESD electrostatic discharge design and a lifespan up to 50,000h;
- ◆ LED light beads are designed in the manner of "parallel connection first and serial connection second" as well as single point single control, thus failure of a single bead doesn't influence normal operation of the other beads;
- ◆ Specialized constant-current power supply, wide voltage AC 85V-260V input design, featured with open circuit protection, short-circuit protection, surge protection, lightning protection, overvoltage protection, etc.;
- ◆ Borosilicate tempered glass, resistant to high-energy impact; protective cover's transmittance up to 95%, providing good lighting effect and high luminance;
- ◆ Steel tube wiring G3/4", multiple mounting methods optional for users, the light is provided with a mounting bracket enabling free adjustment of the mounting angle based on requirements.

Web: [www.cressaled.com](http://www.cressaled.com)

Email: [info@cressaled.com](mailto:info@cressaled.com)

A BLD, JiaHua Industrial Park, XinPo Tou, GuangMing New District, ShenZhen, China 518107