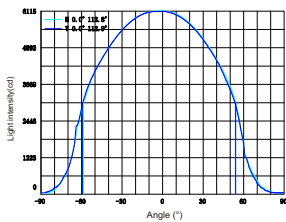
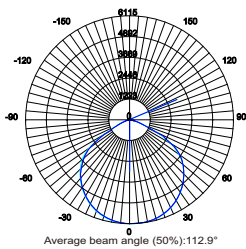


Applicable light source

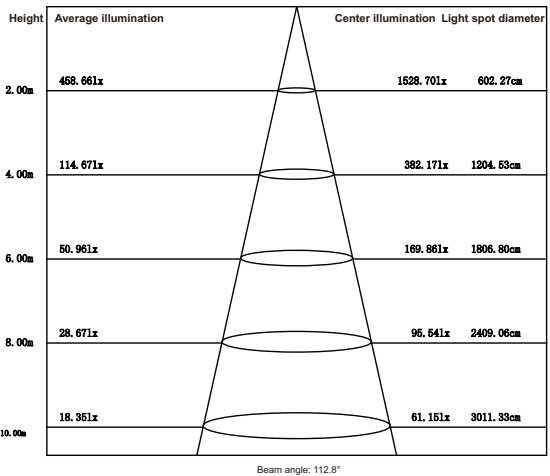
Order No.	Type of light source	Rated power (W)	Luminous flux (lm)	Average lifespan(h)	QTY (PCS/Box)
CS-BXFL-050W	LED	50W	6750	50000	1/1
CS-BXFL-080W	LED	80W	10800	50000	1/1
CS-BXFL-100W	LED	100W	13500	50000	1/1

Photoelectric parameters

Lighting distribution curve



Average illumination test chart



Technical parameters

Rated voltage: AC/DC 220V 50Hz

Housing protection: IP66

Anti-corrosion grade: Wf2

Color temperature: 5,500-6,000K

Inlet thread: G 3/4

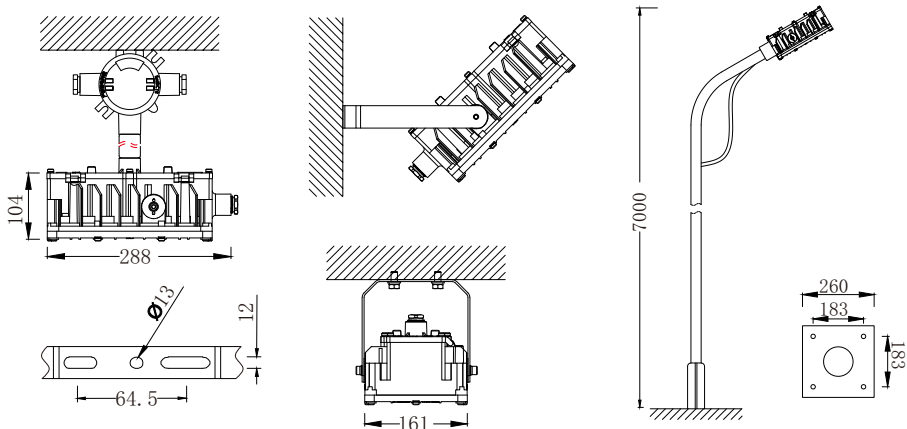
Lead-in cable: $\Phi 8$ - $\Phi 12$ mm

External dimension: 288x161x104mm

Total weight: 3.5kg

Explosion-proof sign: Exde mb IIC T5 Gb / Ext Da21 IP66 T95°C

Installation diagram



Applicable place

- ◆ Widely applied in general lighting and operation lighting in hazardous environments of oil exploitation, oil refining, metal smelting, chemicals, military, coal mines, thermal power stations, wineries, etc.
- ◆ Applicable for Zone 1, Zone 2, Class IIA, Class IIB and Class IIC explosive gas environments and flammable dust environments as well as Zone 21 and Zone 22 flammable and explosive sites.

Performance features

- ◆ The housing is made by aluminum alloy die casting with high voltage electrostatic plastic spraying on the surface, and has good anti-corrosive performance;
- ◆ Manufactured on basis of Grade IIC top standards of thread structure explosion protection, more reliable explosion-proof performance;
- ◆ Configured with an internationally renewed brand of LED light source, and the ceramic substrate SMT surface mounting process, providing good heat-conducting property and color rendering, featured with circuit ESD electrostatic discharge design and a lifespan up to 50,000h;
- ◆ LED light beads are designed in the manner of "parallel connection first and serial connection second" as well as single point single control, thus failure of a single bead doesn't influence normal operation of the other beads;
- ◆ Specialized constant-current power supply, wide voltage AC 85V-260V input design, featured with open circuit protection, short-circuit protection, surge protection, lightning protection, overvoltage protection, etc.;
- ◆ Borosilicate tempered glass, resistant to high-energy impact; protective cover's transmittance up to 95%, providing good lighting effect and high luminance;
- ◆ Steel tube wiring G3/4", multiple mounting methods optional for users, the light is provided with a mounting bracket enabling free adjustment of the mounting angle based on requirements.

Web: www.cressaled.com

Email: info@cressaled.com

A BLD, JiaHua Industrial Park, XinPo Tou, GuangMing New District, ShenZhen, China 518107