

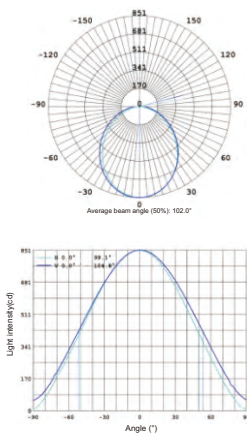


Applicable light source

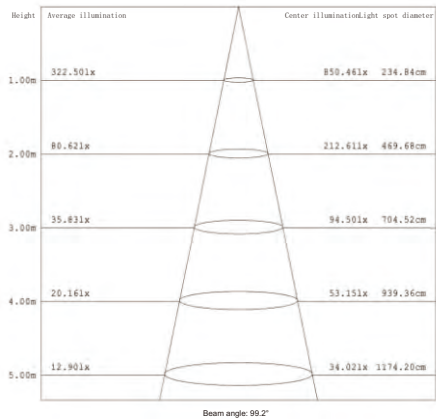
Order No.	Type of light source	Rated power (W)	Luminous flux (lm)	Average lifespan(h)	QTY (PCS/Box)
CS-B121-20	LED	20W	2000	50000	9/1
CS-B121-40	LED	40W	4000	50000	6/1
CS-B121-60	LED	60W	6000	50000	6/1

Photoelectric parameters

Lighting distribution curve



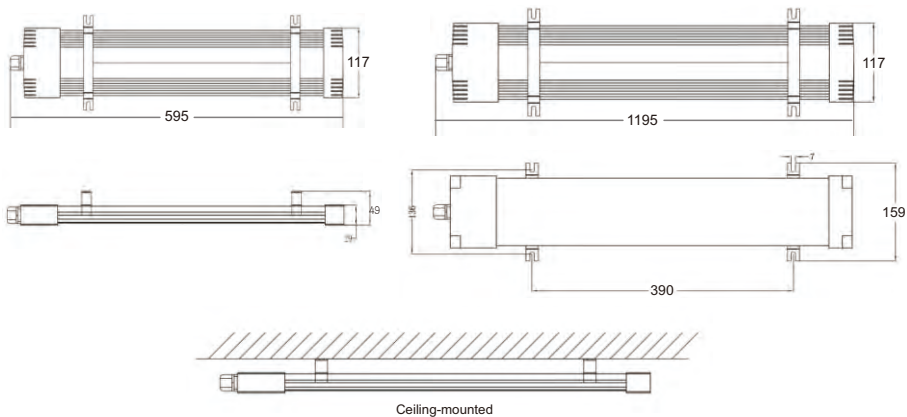
Average illumination test chart



Technical parameters

Rated voltage: AC/DC 220V 50Hz
Housing protection: Ip66
Anti-corrosion grade: Wf2
Color temperature: 5,500-6,000K
Inlet thread: G3/4
Lead-in cable: $\Phi 8-\Phi 12$ mm
External dimension: 595*125*45mm 1195*117*49mm
Total weight: 2.45kg 3
Explosion-proof sign: ExdIIc T6 Gb/ExtDA21 Ip66 T 80C

Installation diagram



Applicable place

- ◆ Widely applied in general lighting and operation lighting in hazardous environments of oil exploitation, oil refining, metal smelting, chemicals, military, coal mines, thermal power stations, wineries, etc.
- ◆ Applicable for Zone 1, Zone 2, Class IIA, Class IIB and Class IIC explosive gas environments and flammable dust environments as well as Zone 21 and Zone 22 flammable and explosive sites.

Performance features

- ◆ The housing is made from aluminum alloy, with anti-oxidation treatment on the surface, providing outstanding anti-corrosion performance;
- ◆ The dissipater is made from aviation aluminum profiles, featured with light weight and fast heat dissipation;
- ◆ Configured with an internationally renewed brand of LED light source, and the ceramic substrate SMT surface mounting process, providing good heat-conducting property and color rendering, featured with circuit ESD electrostatic discharge design and a lifespan up to 50,000h;
- ◆ LED light beads are designed in the manner of "parallel connection first and serial connection second" as well as single point single control, thus failure of a single bead doesn't influence normal operation of the other beads;
- ◆ Specialized constant-current power supply, wide voltage AC 85V-260V input design, featured with open circuit protection, short-circuit protection, surge protection, lightning protection, overvoltage protection, etc.;
- ◆ Use anti-shock acrylic material, added with EBS-SF, the protective cover's light transmittance is up to 95%, providing good lighting effect and high luminance.
- ◆ Steel tube wiring G3/4", multiple mounting methods optional for users, the light is provided with a mounting bracket enabling free adjustment of the mounting angle based on requirements.

Web: www.cressaled.com

Email: info@cressaled.com

A BLD, JiaHua Industrial Park, XinPoTou, GuangMing New District, ShenZhen, China 518107